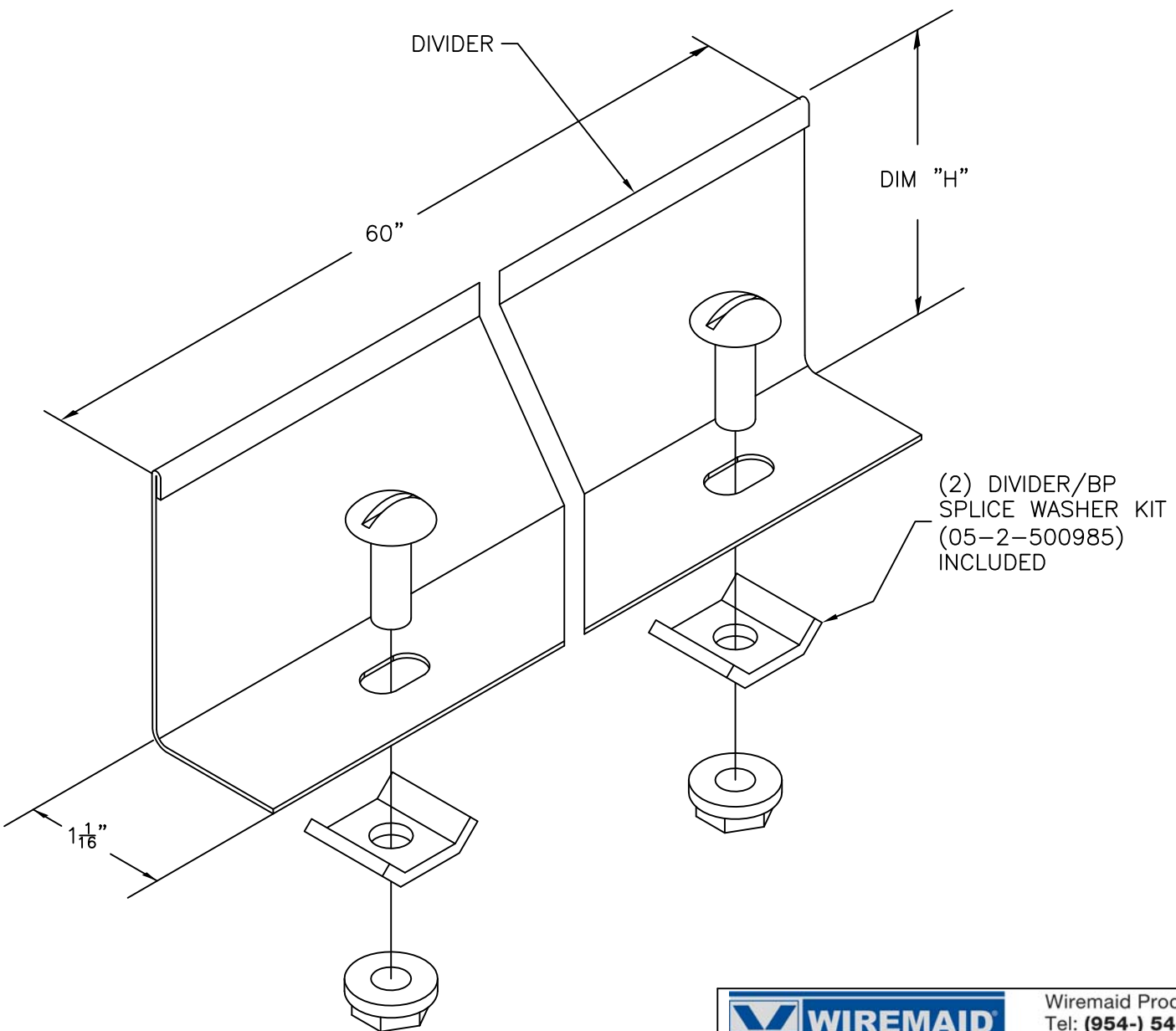


| <u>DIVIDERS</u> | <u>DESCRIPTION</u>           | <u>DIM "H"</u> |
|-----------------|------------------------------|----------------|
| 05-2-500983     | DIVIDER CABLE TRAY, 2" X 60" | 2"             |
| 05-2-500984     | DIVIDER CABLE TRAY, 4" X 60" | 4"             |
| 05-2-500987     | DIVIDER CABLE TRAY, 6" X 60" | 6"             |

| TRAY FINISH      |
|------------------|
| SAFETY YELLOW =1 |
| WHITE =2         |
| CHROME =3        |
| BLACK =4         |
| RED =5           |
| BLUE =6          |
| ORANGE =10       |



Wiremaid Products Division  
Tel: (954-) 545-9000  
Fax: (954) 545-9011  
email: [Info@cablemgr.com](mailto:Info@cablemgr.com)

|                           |  |                         |
|---------------------------|--|-------------------------|
| DRAWN BY<br>05/28/2014 TM | DESCRIPTION<br>DIVIDERS<br>PRO-10<br>CABLE MANAGER | DRAWING NO.<br>DIVIDERS |
| CHECKED BY                | SCALE: N/A   | REV B                   |