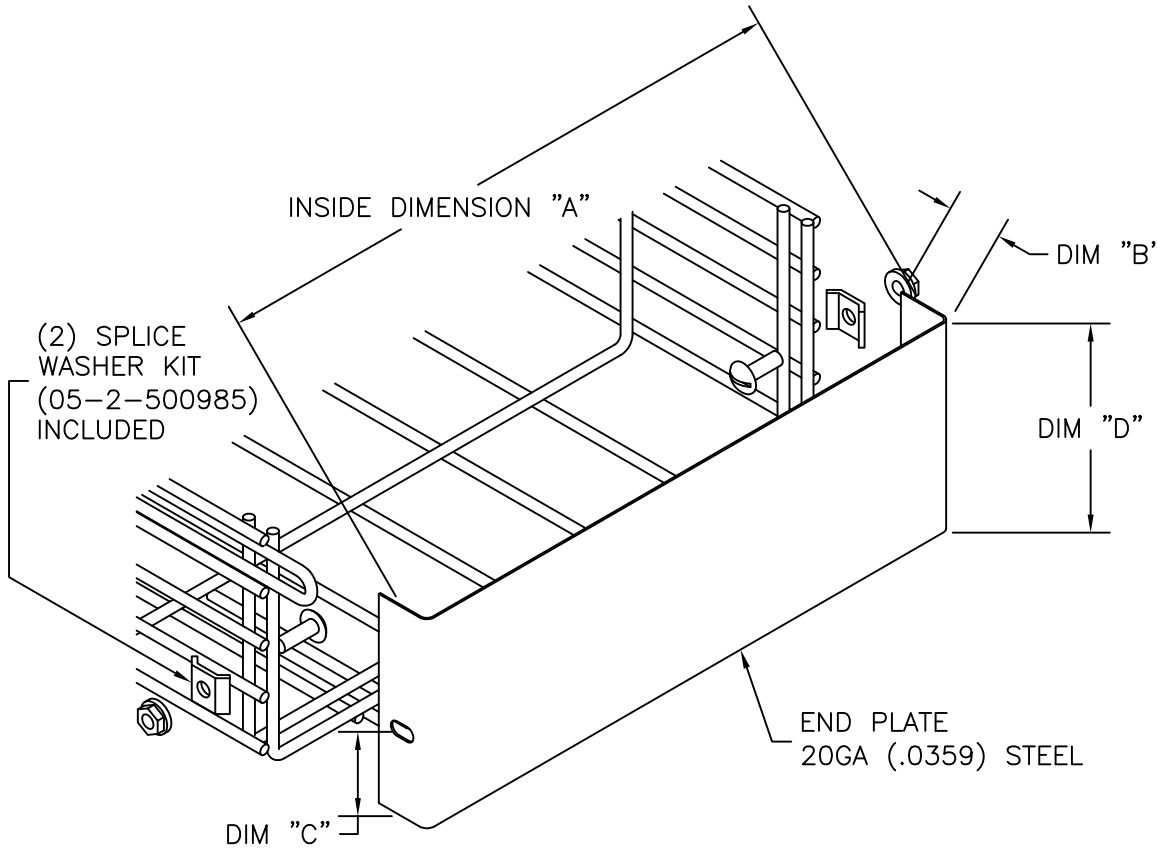


PART NO.	DESCRIPTION	DIM "A"	DIM "B"	DIM "C"	DIM "D"
05-22022	END PLATE 2"W X 2"D	1½"	1⅛"	5/8"	2"
05-22024	END PLATE 2"W X 4"D	1½"	1⅛"	1 5/8"	4"
05-22026	END PLATE 2"W X 6"D	1½"	1⅛"	2 5/8"	6"
05-22042	END PLATE 4"W X 2"D	3½"	1⅛"	5/8"	2"
05-22044	END PLATE 4"W X 4"D	3½"	1⅛"	1 5/8"	4"
05-22046	END PLATE 4"W X 6"D	3½"	1⅛"	2 5/8"	6"
05-22062	END PLATE 6"W X 2"D	5½"	1⅛"	5/8"	2"
05-22064	END PLATE 6"W X 4"D	5½"	1⅛"	1 5/8"	4"
05-22066	END PLATE 6"W X 6"D	5½"	1⅛"	2 5/8"	6"
05-22082	END PLATE 8"W X 2"D	7½"	1⅛"	5/8"	2"
05-22084	END PLATE 8"W X 4"D	7½"	1⅛"	1 5/8"	4"
05-22086	END PLATE 8"W X 6"D	7½"	1⅛"	2 5/8"	6"
05-22122	END PLATE 12"W X 2"D	11½"	1⅛"	5/8"	2"
05-22124	END PLATE 12"W X 4"D	11½"	1⅛"	1 5/8"	4"
05-22126	END PLATE 12"W X 6"D	11½"	1⅛"	2 5/8"	6"
05-22182	END PLATE 18"W X 2"D	17½"	1⅛"	5/8"	2"
05-22184	END PLATE 18"W X 4"D	17½"	1⅛"	1 5/8"	4"
05-22186	END PLATE 18"W X 6"D	17½"	1⅛"	2 5/8"	6"
05-22242	END PLATE 24"W X 2"D	23½"	1⅛"	5/8"	2"
05-22244	END PLATE 24"W X 4"D	23½"	1⅛"	1 5/8"	4"
05-22246	END PLATE 24"W X 6"D	23½"	1⅛"	2 5/8"	6"
05-22362	END PLATE 36"W X 2"D	35½"	1⅛"	5/8"	2"
05-22364	END PLATE 36"W X 4"D	35½"	1⅛"	1 5/8"	4"
05-22366	END PLATE 36"W X 6"D	35½"	1⅛"	2 5/8"	6"



END PLATE FINISH	
SAFETY YELLOW	=1
WHITE	=2
CHROME	=3
BLACK	=4
RED	=5
BLUE	=6
ORANGE	=10

THE INFORMATION CONTAINED IN THIS DRAWING IS THE SOLE PROPERTY OF WIREMAID PRODUCTS CORP AND REPRODUCTION IN PART OR AS A WHOLE WITHOUT THE WRITTEN PERMISSION OF WIREMAID PRODUCTS CORP IS PROHIBITED		WIREMAID PRODUCTS CORP. 11711 W. SAMPLE ROAD, CORAL SPRING, FL 33065	
DRAWN BY 03/05/15 TM	DESCRIPTION END PLATE CABLE TRAY	DRAWING NO. 05-22 END PLATE	SCALE: 1/1
CHECKED BY	REV A		