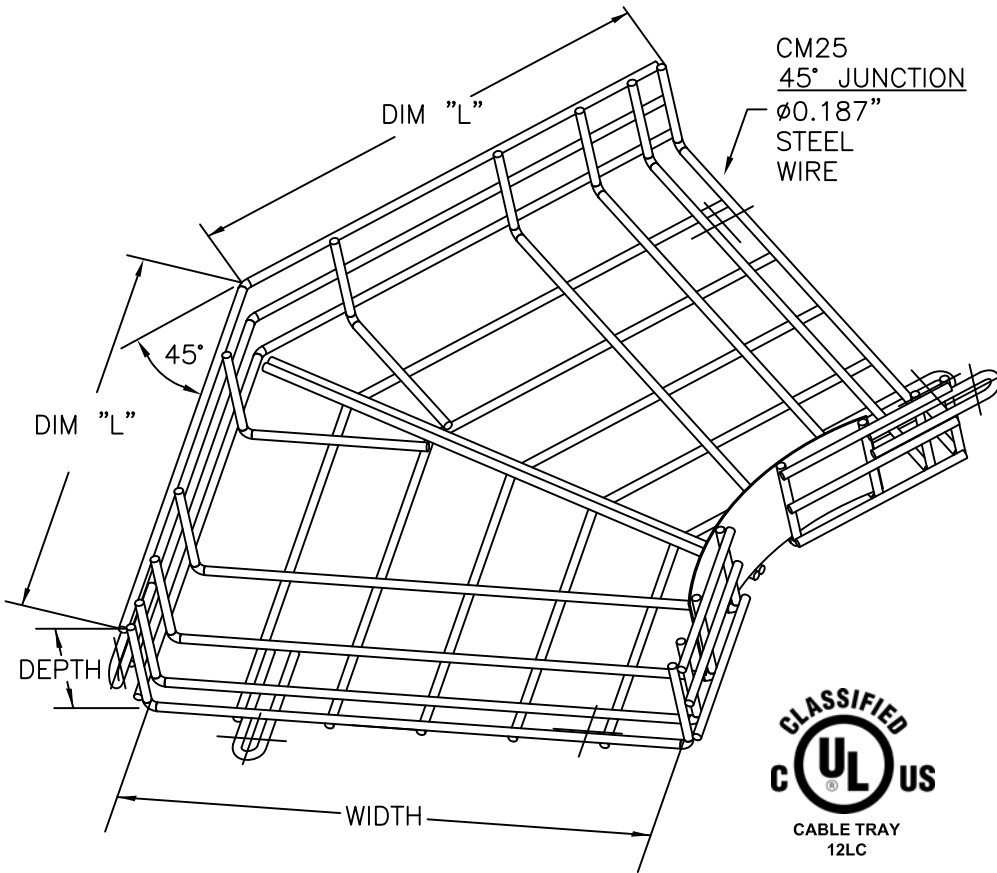


CM25
45° JUNCTION DEPTH X WIDTH X DIM "L"

05-2502245	2" X 2" X 6 $\frac{1}{4}$ "
05-2504245	2" X 4" X 8 $\frac{1}{4}$ "
05-2504445*	4" X 4" X 8 $\frac{1}{4}$ "
05-2506245*	2" X 6" X 8 $\frac{1}{4}$ "
05-2506445*	4" X 6" X 8 $\frac{1}{4}$ "
05-2506645*	6" X 6" X 8 $\frac{1}{4}$ "
05-2508245*	2" X 8" X 10 $\frac{1}{4}$ "
05-2508445*	4" X 8" X 10 $\frac{1}{4}$ "
05-2508645*	6" X 8" X 10 $\frac{1}{4}$ "
05-2512245*	2" X 12" X 10 $\frac{1}{4}$ "
05-2512445*	4" X 12" X 10 $\frac{1}{4}$ "
05-2512645*	6" X 12" X 10 $\frac{1}{4}$ "
05-2516245*	2" X 16" X 12 $\frac{1}{4}$ "
05-2516445*	4" X 16" X 12 $\frac{1}{4}$ "
05-2516645*	6" X 16" X 12 $\frac{1}{4}$ "
05-2518245*	2" X 18" X 14 $\frac{1}{4}$ "
05-2518445*	4" X 18" X 14 $\frac{1}{4}$ "
05-2518645*	6" X 18" X 14 $\frac{1}{4}$ "
05-2520245*	2" X 20" X 14 $\frac{1}{4}$ "
05-2520445*	4" X 20" X 14 $\frac{1}{4}$ "
05-2520645*	6" X 20" X 14 $\frac{1}{4}$ "
05-2524245*	2" X 24" X 16 $\frac{1}{4}$ "
05-2524445*	4" X 24" X 16 $\frac{1}{4}$ "
05-2524645*	6" X 24" X 16 $\frac{1}{4}$ "
05-2536645*	6" X 36" X 22 $\frac{1}{4}$ "



U.S. Patent No. 7,546,987
Metal Cable Tray in accordance with
the standard for cable tray systems
CAN/CSA-C22.2 NO. 126
*E238185

TRAY FINISH
SAFETY YELLOW = 1
WHITE = 2
CHROME = 3
BLACK = 4
RED = 5
BLUE = 6
ORANGE = 10



Wiremaid Products Division
Tel: (954-) 545-9000
Fax: (954) 545-9011
email: Info@cablemgr.com

DRAWN BY 06/17/2010 TM	DESCRIPTION CM25-45DEG PRO-10 CABLE MANAGER	DRAWING NO. CM25_45DEG
CHECKED BY	SCALE: N/A	REV B