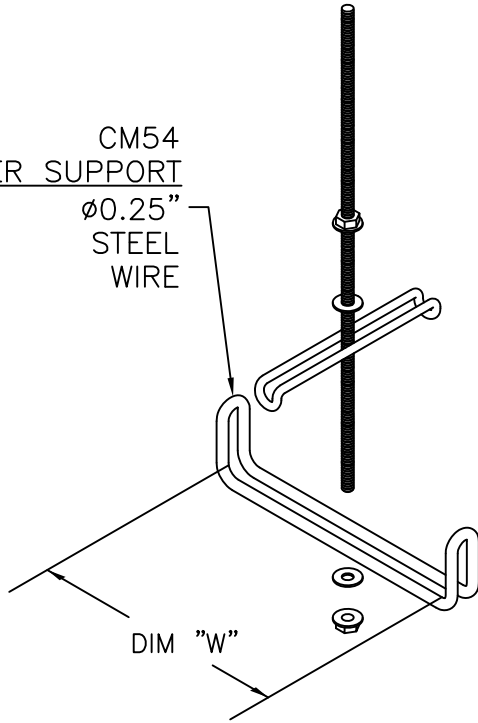
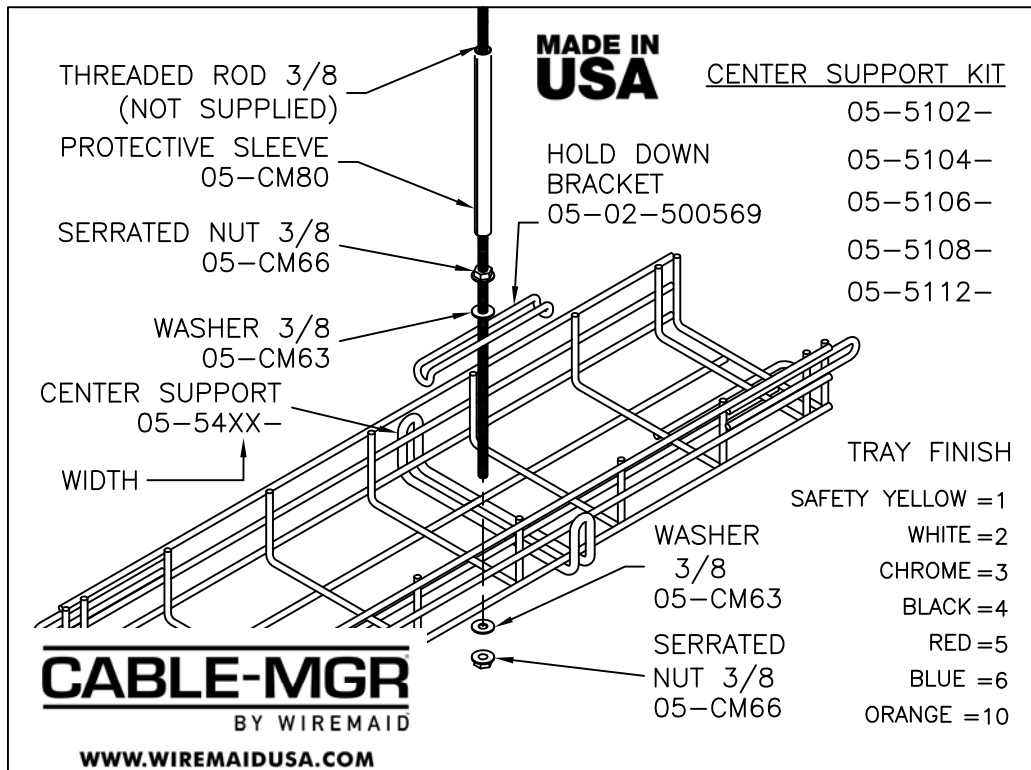


**CM54
CENTER SUPPORT**

Ø0.25"
STEEL
WIRE



CENTER SUPPORT KIT	DIM "W"
05-5102-	2½"
05-5104-	4½"
05-5106-	6½"
05-5108-	8½"
05-5112-	12½"



THREADED ROD 3/8
(NOT SUPPLIED)

PROTECTIVE SLEEVE
05-CM80

SERRATED NUT 3/8
05-CM66

WASHER 3/8
05-CM63

CENTER SUPPORT
05-54XX-

WIDTH

HOLD DOWN
BRACKET
05-02-500569

CENTER SUPPORT KIT

05-5102-
05-5104-
05-5106-
05-5108-
05-5112-

WASHER
3/8
05-CM63

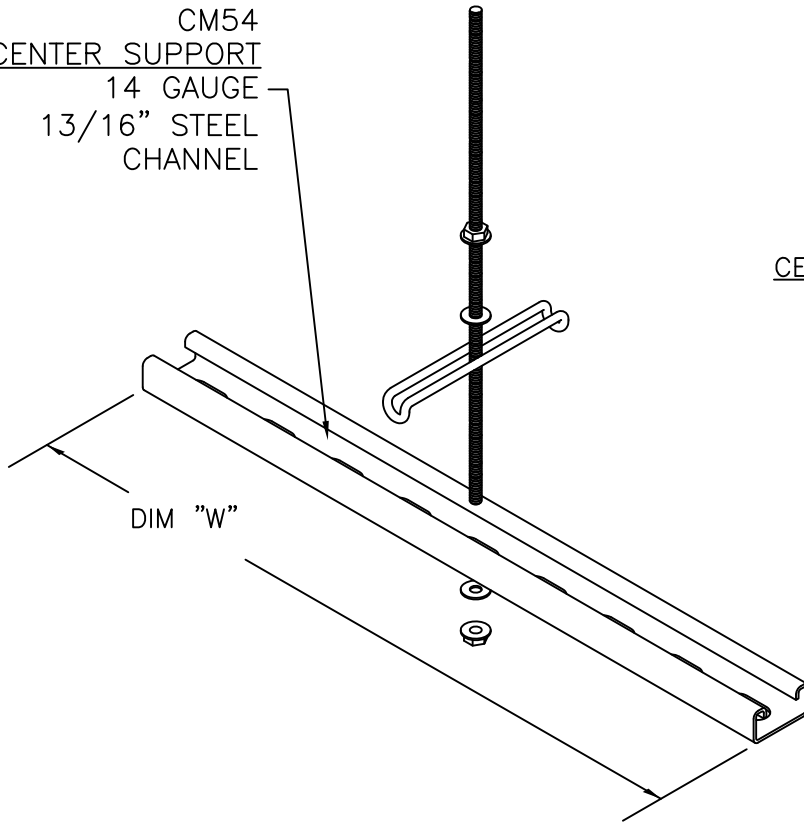
SERRATED
NUT 3/8
05-CM66



Wiremaid Products Division
Tel: (954-) 545-9000
Fax: (954) 545-9011
email: Info@cablemgr.com

DRAWN BY	DESCRIPTION	DRAWING NO.
09/01/2017 TM	CENTER SUPPORT CM51 PRO-10 CABLE MANAGER	CM51
CHECKED BY		SCALE: N/A REV A

CM54
CENTER SUPPORT
 14 GAUGE
 13/16" STEEL
 CHANNEL



<u>CENTER SUPPORT KIT</u>	<u>DIM "W"</u>
05-5116-	16"
05-5118-	18"
05-5120-	20"
05-5122-	24"
05-5124-	36"

THREADED ROD 3/8
(NOT SUPPLIED)

TRAY CLIP FOR
UNISTRUT (2X)
05-CM110
(SQUEEZE AND
SLIDE IN PLACE)

CENTER
SUPPORT
05-54XX-

WIDTH

MADE IN USA

PROTECTIVE SLEEVE
05-CM80

SERRATED NUT 3/8
05-CM66

WASHER 3/8
05-CM63

WASHER 3/8
05-CM63

SERRATED NUT 3/8
05-CM66

CENTER SUPPORT KIT

05-5116-
05-5118-
05-5120-
05-5122-
05-5124-

TRAY FINISH

SAFETY YELLOW = 1
WHITE = 2
CHROME = 3
BLACK = 4
RED = 5
BLUE = 6
ORANGE = 10

CABLE-MGR
 BY WIREMAID
WWW.WIREMAIDUSA.COM



Wiremaid Products Division
 Tel: (954-) 545-9000
 Fax: (954) 545-9011
 email: Info@cablemgr.com

DRAWN BY	DESCRIPTION	DRAWING NO.
09/01/2017 TM	CENTER SUPPORT CM51 PRO-10 CABLE MANAGER	CM51
CHECKED BY		SCALE: N/A REV A