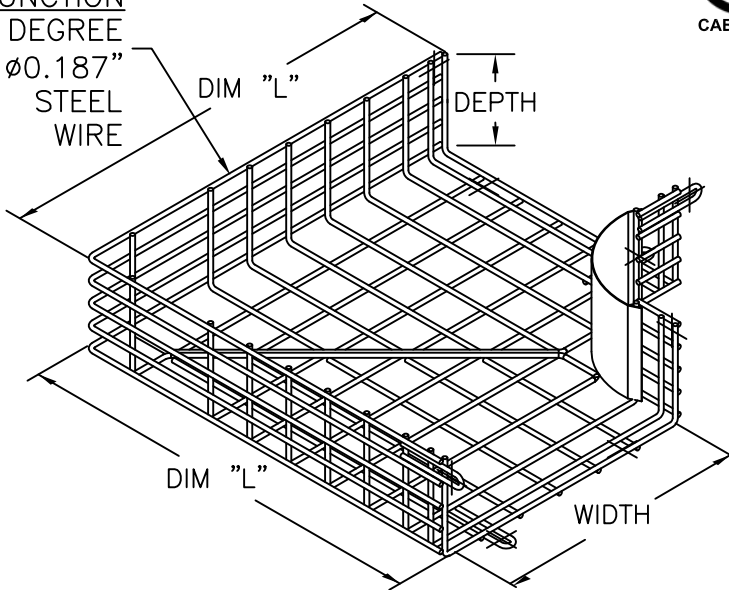


CM25
L JUNCTION
90 DEGREE
Ø0.187"
STEEL
WIRE



CM25
L JUNCTION DEPTH X WIDTH X DIM "L"

05-25022L	2" X	2" X	8 $\frac{1}{4}$ "
05-25042L	2" X	4" X	10 $\frac{1}{4}$ "
05-25044L*	4" X	4" X	10 $\frac{1}{4}$ "
05-25062L*	2" X	6" X	12 $\frac{1}{4}$ "
05-25064L*	4" X	6" X	12 $\frac{1}{4}$ "
05-25066L*	6" X	6" X	12 $\frac{1}{4}$ "
05-25082L*	2" X	8" X	14 $\frac{1}{4}$ "
05-25084L*	4" X	8" X	14 $\frac{1}{4}$ "
05-25086L*	6" X	8" X	14 $\frac{1}{4}$ "
05-25122L*	2" X	12" X	18 $\frac{1}{4}$ "
05-25124L*	4" X	12" X	18 $\frac{1}{4}$ "
05-25126L*	6" X	12" X	18 $\frac{1}{4}$ "
05-25162L*	2" X	16" X	22 $\frac{1}{4}$ "
05-25164L*	4" X	16" X	22 $\frac{1}{4}$ "
05-25166L*	6" X	16" X	22 $\frac{1}{4}$ "
05-25182L*	2" X	18" X	24 $\frac{1}{4}$ "
05-25184L*	4" X	18" X	24 $\frac{1}{4}$ "
05-25186L*	6" X	18" X	24 $\frac{1}{4}$ "
05-25202L*	2" X	20" X	26 $\frac{1}{4}$ "
05-25204L*	4" X	20" X	26 $\frac{1}{4}$ "
05-25206L*	6" X	20" X	26 $\frac{1}{4}$ "
05-25222L*	2" X	22" X	28 $\frac{1}{4}$ "
△ 05-25224L*	4" X	22" X	28 $\frac{1}{4}$ "
05-25226L*	6" X	22" X	28 $\frac{1}{4}$ "
05-25242L*	2" X	24" X	30 $\frac{1}{4}$ "
05-25244L*	4" X	24" X	30 $\frac{1}{4}$ "
05-25246L*	6" X	24" X	30 $\frac{1}{4}$ "
05-25366L*	6" X	36" X	42 $\frac{1}{4}$ "

TRAY FINISH

SAFETY YELLOW = 1
WHITE = 2
CHROME = 3
BLACK = 4
RED = 5
BLUE = 6
ORANGE = 10

U.S. Patent No. 7,546,987
Metal Cable Tray in accordance with
the standard for cable tray systems
CAN/CSA-C22.2 NO. 126
*E238185

THE INFORMATION
CONTAINED IN THIS
DRAWING IS THE SOLE
PROPERTY OF VUTECH
CORPORATION AND
REPRODUCTION IN PART
OR AS A WHOLE
WITHOUT THE WRITTEN
PERMISSION OF VUTECH
CORPORATION IS
PROHIBITED



Wiremaid Products Division
Tel: (954-) 545-9000
Fax: (954) 545-9011
email: Info@cablemgr.com

DRAWN BY
06/17/2010 TM
CHECKED BY

DESCRIPTION
CM25-L
PRO-10
CABLE MANAGER

DRAWING NO.
CM25_L
SCALE: N/A
REV C