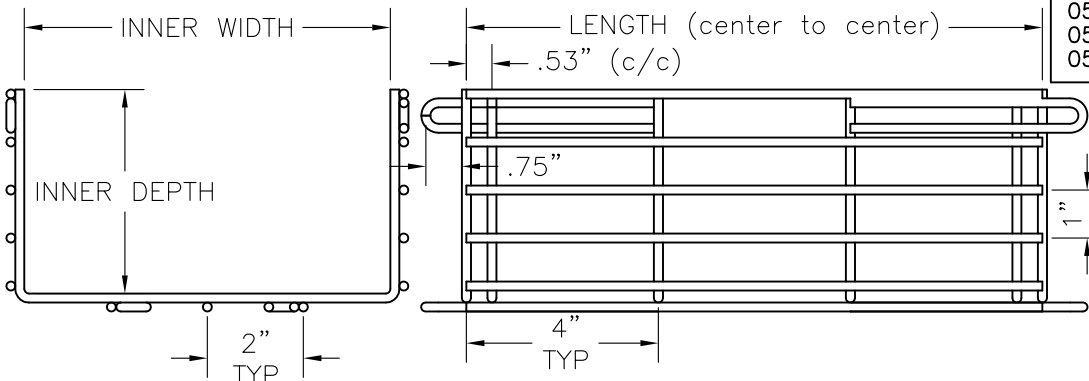


CM20 STRAIGHT INNER DEPTHxINNER WIDTHxLENGTH	Δ	CM20 STRAIGHT INNER DEPTHxINNER WIDTHxLENGTH	Δ	CM20 STRAIGHT INNER DEPTHxINNER WIDTHxLENGTH	Δ
05-2002201	2.25" X 1.56" X 12"	05-2012201	2.25" X 11.56" X 12"	05-2020201	2.25" X 19.56" X 12"
05-2002202	2.25" X 1.56" X 24"	05-2012202	2.25" X 11.56" X 24"	05-2020202	2.25" X 19.56" X 24"
05-2002205	2.25" X 1.56" X 60"	05-2012205	2.25" X 11.56" X 60"	05-2020205	2.25" X 19.56" X 60"
05-2002208	2.25" X 1.56" X 96"	05-2012208	2.25" X 11.56" X 96"	05-2020208	2.25" X 19.56" X 96"
05-2002210	2.25" X 1.56" X 120"	05-2012210	2.25" X 11.56" X 120"	05-2020210	2.25" X 19.56" X 120"
05-2004201	2.25" X 3.56" X 12"	05-2012401	4.25" X 11.56" X 12"	05-2020401	4.25" X 19.56" X 12"
05-2004202	2.25" X 3.56" X 24"	05-2012402	4.25" X 11.56" X 24"	05-2020402	4.25" X 19.56" X 24"
05-2004205	2.25" X 3.56" X 60"	05-2012405	4.25" X 11.56" X 60"	05-2020405	4.25" X 19.56" X 60"
05-2004208	2.25" X 3.56" X 96"	05-2012408	4.25" X 11.56" X 96"	05-2020408	4.25" X 19.56" X 96"
05-2004210	2.25" X 3.56" X 120"	05-2012410	4.25" X 11.56" X 120"	05-2020410	4.25" X 19.56" X 120"
05-2004401	4.25" X 3.56" X 12"	05-2012601	6.25" X 11.56" X 12"	05-2020601	6.25" X 19.56" X 12"
05-2004402	4.25" X 3.56" X 24"	05-2012602	6.25" X 11.56" X 24"	05-2020602	6.25" X 19.56" X 24"
05-2004405	4.25" X 3.56" X 60"	05-2012605	6.25" X 11.56" X 60"	05-2020605	6.25" X 19.56" X 60"
05-2004408	4.25" X 3.56" X 96"	05-2012608	6.25" X 11.56" X 96"	05-2020608	6.25" X 19.56" X 96"
05-2004410	4.25" X 3.56" X 120"	05-2012610	6.25" X 11.56" X 120"	05-2020610	6.25" X 19.56" X 120"
05-2006201	2.25" X 5.56" X 12"	05-2016201	2.25" X 15.56" X 12"	05-2022201	2.25" X 21.56" X 12"
05-2006202	2.25" X 5.56" X 24"	05-2016202	2.25" X 15.56" X 24"	05-2022202	2.25" X 21.56" X 24"
05-2006205	2.25" X 5.56" X 60"	05-2016205	2.25" X 15.56" X 60"	05-2022205	2.25" X 21.56" X 60"
05-2006208	2.25" X 5.56" X 96"	05-2016208	2.25" X 15.56" X 96"	05-2022208	2.25" X 21.56" X 96"
05-2006210	2.25" X 5.56" X 120"	05-2016210	2.25" X 15.56" X 120"	05-2022210	2.25" X 21.56" X 120"
05-2006401	4.25" X 5.56" X 12"	05-2016401	4.25" X 15.56" X 12"	05-2022401	4.25" X 21.56" X 12"
05-2006402	4.25" X 5.56" X 24"	05-2016402	4.25" X 15.56" X 24"	05-2022402	4.25" X 21.56" X 24"
05-2006405	4.25" X 5.56" X 60"	05-2016405	4.25" X 15.56" X 60"	05-2022405	4.25" X 21.56" X 60"
05-2006408	4.25" X 5.56" X 96"	05-2016408	4.25" X 15.56" X 96"	05-2022408	4.25" X 21.56" X 96"
05-2006410	4.25" X 5.56" X 120"	05-2016410	4.25" X 15.56" X 120"	05-2022410	4.25" X 21.56" X 120"
05-2006601	6.25" X 5.56" X 12"	05-2016601	6.25" X 15.56" X 12"	05-2022601	6.25" X 21.56" X 12"
05-2006602	6.25" X 5.56" X 24"	05-2016602	6.25" X 15.56" X 24"	05-2022602	6.25" X 21.56" X 24"
05-2006605	6.25" X 5.56" X 60"	05-2016605	6.25" X 15.56" X 60"	05-2022605	6.25" X 21.56" X 60"
05-2006608	6.25" X 5.56" X 96"	05-2016608	6.25" X 15.56" X 96"	05-2022608	6.25" X 21.56" X 96"
05-2006610	6.25" X 5.56" X 120"	05-2016610	6.25" X 15.56" X 120"	05-2022610	6.25" X 21.56" X 120"
05-2008201	2.25" X 7.56" X 12"	05-2018201	2.25" X 17.56" X 12"	05-2024201	2.25" X 23.56" X 12"
05-2008202	2.25" X 7.56" X 24"	05-2018202	2.25" X 17.56" X 24"	05-2024202	2.25" X 23.56" X 24"
05-2008205	2.25" X 7.56" X 60"	05-2018205	2.25" X 17.56" X 60"	05-2024205	2.25" X 23.56" X 60"
05-2008208	2.25" X 7.56" X 96"	05-2018208	2.25" X 17.56" X 96"	05-2024208	2.25" X 23.56" X 96"
05-2008210	2.25" X 7.56" X 120"	05-2018210	2.25" X 17.56" X 120"	05-2024210	2.25" X 23.56" X 120"
05-2008401	4.25" X 7.56" X 12"	05-2018401	4.25" X 17.56" X 12"	05-2024401	4.25" X 23.56" X 12"
05-2008402	4.25" X 7.56" X 24"	05-2018402	4.25" X 17.56" X 24"	05-2024402	4.25" X 23.56" X 24"
05-2008405	4.25" X 7.56" X 60"	05-2018405	4.25" X 17.56" X 60"	05-2024405	4.25" X 23.56" X 60"
05-2008408	4.25" X 7.56" X 96"	05-2018408	4.25" X 17.56" X 96"	05-2024408	4.25" X 23.56" X 96"
05-2008410	4.25" X 7.56" X 120"	05-2018410	4.25" X 17.56" X 120"	05-2024410	4.25" X 23.56" X 120"
05-2008601	6.25" X 7.56" X 12"	05-2018601	6.25" X 17.56" X 12"	05-2024601	6.25" X 23.56" X 12"
05-2008602	6.25" X 7.56" X 24"	05-2018602	6.25" X 17.56" X 24"	05-2024602	6.25" X 23.56" X 24"
05-2008605	6.25" X 7.56" X 60"	05-2018605	6.25" X 17.56" X 60"	05-2024605	6.25" X 23.56" X 60"
05-2008608	6.25" X 7.56" X 96"	05-2018608	6.25" X 17.56" X 96"	05-2024608	6.25" X 23.56" X 96"
05-2008610	6.25" X 7.56" X 120"	05-2018610	6.25" X 17.56" X 120"	05-2024610	6.25" X 23.56" X 120"
				05-2036601	6.25" X 35.88" X 12"
				05-2036602	6.25" X 35.88" X 24"
				05-2036605	6.25" X 35.88" X 60"
				05-2036608	6.25" X 35.88" X 96"
				05-2036610	6.25" X 35.88" X 120"



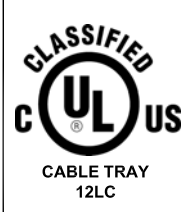
- TRAY FINISH
- SAFETY YELLOW = 1
 - WHITE = 2
 - CHROME = 3
 - BLACK = 4
 - RED = 5
 - BLUE = 6
 - ORANGE = 10

U.S. Patent No. 7,546,987

Metal Cable Tray in accordance with the standard for cable tray systems CAN/CSA-C22.2 NO. 126

E238185

REV E-10/03/2013 TM ADDED 22" WIDE CABLE TRAY FAMILY
REV D-02/19/2013 TM PER AX-CHG TO .56" WAS .63" (125X), TO .88" WAS .81" (5X)



THE INFORMATION CONTAINED IN THIS DRAWING IS THE SOLE PROPERTY OF WIREMAID CORPORATION AND REPRODUCTION IN PART OR AS A WHOLE WITHOUT THE WRITTEN PERMISSION OF WIREMAID CORPORATION IS PROHIBITED

UNLESS OTHERWISE SPECIFIED DIMENSIONS ARE IN INCHES .XX ±.10



DRAWN BY
01/28/2013 TM
CHECKED BY

DESCRIPTION
CM20 STRAIGHT DIMENSIONAL SPEC CABLE MANAGER

Wiremaid Products Division
Tel: (954-) 545-9000
Fax: (954) 545-9011
email: Info@cablemgr.com

DRAWING NO.
CM20_DIMSPEC
SCALE: N/A
REV E