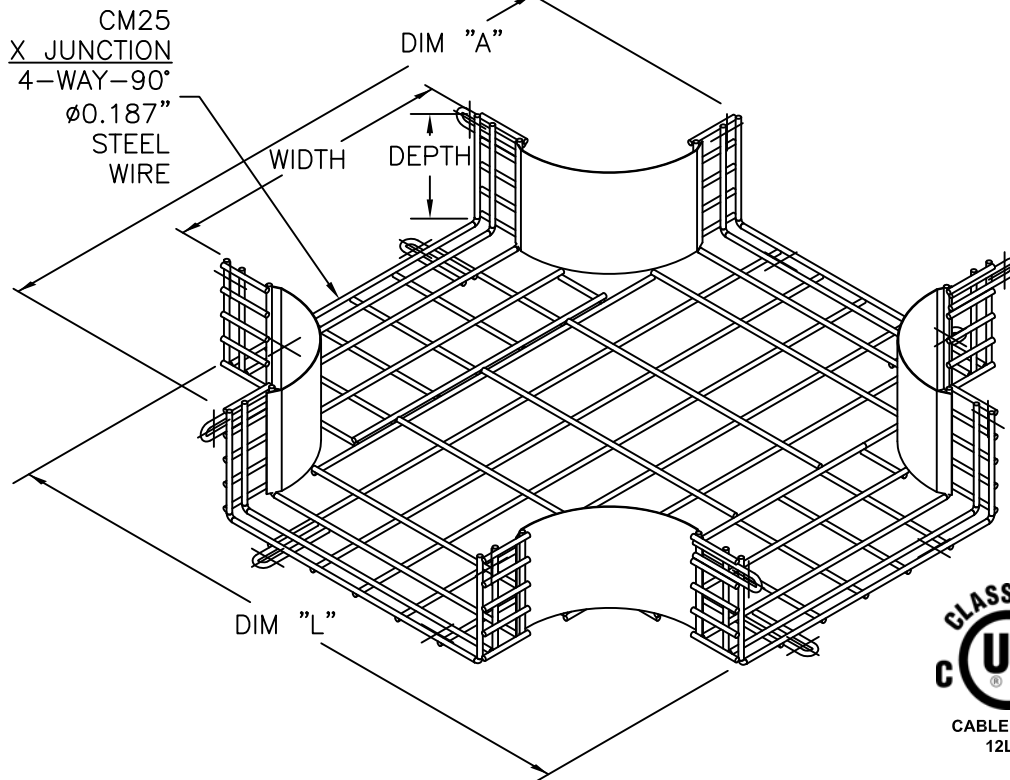


CM25 X JUNCTION	DEPTH	X	WIDTH	X	DIM "A"	X	DIM "L"
05-25022X	2"	X	2"	X	14"	X	14 $\frac{1}{4}$ "
05-25042X	2"	X	4"	X	16"	X	16 $\frac{1}{4}$ "
05-25044X*	4"	X	4"	X	16"	X	16 $\frac{1}{4}$ "
05-25062X*	2"	X	6"	X	18"	X	18 $\frac{1}{4}$ "
05-25064X*	4"	X	6"	X	18"	X	18 $\frac{1}{4}$ "
05-25066X*	6"	X	6"	X	18"	X	18 $\frac{1}{4}$ "
05-25082X*	2"	X	8"	X	20"	X	20 $\frac{1}{4}$ "
05-25084X*	4"	X	8"	X	20"	X	20 $\frac{1}{4}$ "
05-25086X*	6"	X	8"	X	20"	X	20 $\frac{1}{4}$ "
05-25122X*	2"	X	12"	X	24"	X	24 $\frac{1}{4}$ "
05-25124X*	4"	X	12"	X	24"	X	24 $\frac{1}{4}$ "
05-25126X*	6"	X	12"	X	24"	X	24 $\frac{1}{4}$ "

CM25 X JUNCTION	DEPTH	X	WIDTH	X	DIM "A"	X	DIM "L"
05-25162X*	2"	X	16"	X	28"	X	28 $\frac{1}{4}$ "
05-25164X*	4"	X	16"	X	28"	X	28 $\frac{1}{4}$ "
05-25166X*	6"	X	16"	X	28"	X	28 $\frac{1}{4}$ "
05-25182X*	2"	X	18"	X	30"	X	30 $\frac{1}{4}$ "
05-25184X*	4"	X	18"	X	30"	X	30 $\frac{1}{4}$ "
05-25186X*	6"	X	18"	X	30"	X	30 $\frac{1}{4}$ "
05-25202X*	2"	X	20"	X	32"	X	32 $\frac{1}{4}$ "
05-25204X*	4"	X	20"	X	32"	X	32 $\frac{1}{4}$ "
05-25206X*	6"	X	20"	X	32"	X	32 $\frac{1}{4}$ "
05-25222X*	2"	X	22"	X	34"	X	34 $\frac{1}{4}$ "
05-25224X*	4"	X	22"	X	34"	X	34 $\frac{1}{4}$ "
05-25226X*	6"	X	22"	X	34"	X	34 $\frac{1}{4}$ "
05-25242X*	2"	X	24"	X	36"	X	36 $\frac{1}{4}$ "
05-25244X*	4"	X	24"	X	36"	X	36 $\frac{1}{4}$ "
05-25246X*	6"	X	24"	X	36"	X	36 $\frac{1}{4}$ "
05-25366X*	6"	X	36"	X	48 $\frac{3}{16}$ "	X	48 $\frac{1}{2}$ "



U.S. Patent No. 7,546,987  
 Metal Cable Tray in accordance with  
 the standard for cable tray systems  
 CAN/CSA-C22.2 NO. 126  
 \*E238185

TRAY FINISH
SAFETY YELLOW = 1
WHITE = 2
CHROME = 3
BLACK = 4
RED = 5
BLUE = 6
ORANGE = 10



THE INFORMATION  
 CONTAINED IN THIS  
 DRAWING IS THE SOLE  
 PROPERTY OF VUTECH  
 CORPORATION AND  
 REPRODUCTION IN PART  
 OR AS A WHOLE  
 WITHOUT THE WRITTEN  
 PERMISSION OF VUTECH  
 CORPORATION IS  
 PROHIBITED



Wiremaid Products Division  
 Tel: (954-) 545-9000  
 Fax: (954) 545-9011  
 email: Info@cablemgr.com

DRAWN BY 06/17/2010 TM	DESCRIPTION CM25-X PRO-10 CABLE MANAGER	DRAWING NO. CM25_X
CHECKED BY	SCALE: N/A	REV C